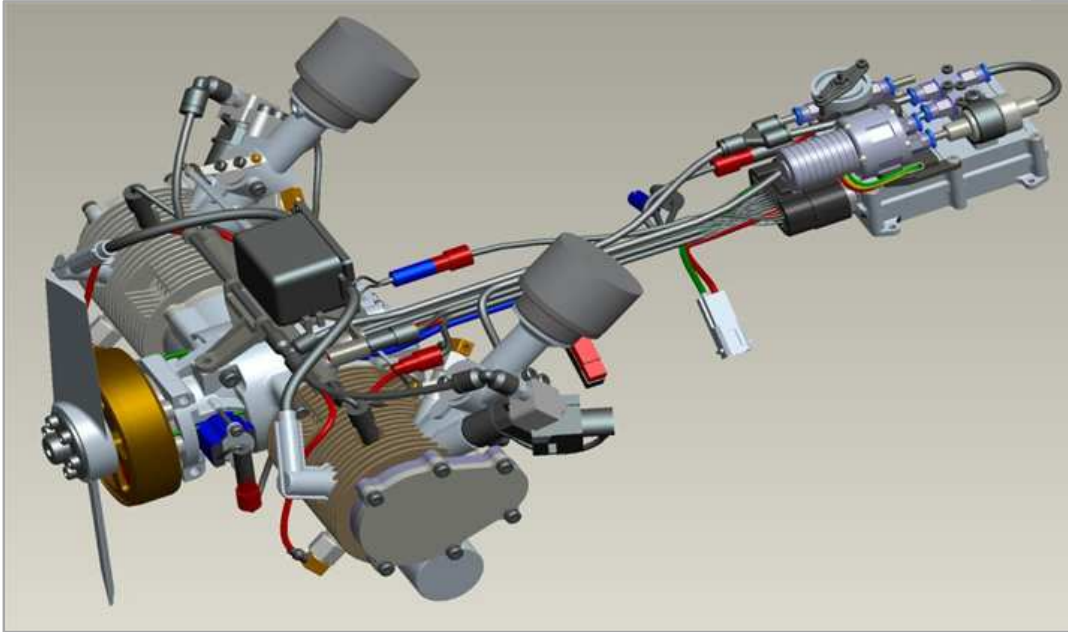




EFI Engine Control System



- **Compact ECU**
- **Gasoline / JP8**
- **Single / Twin**
- **Integrated Pump**
- **Proven Software**

RCV Engines Ltd has a compact fully integrated electronic injection management ECU. The ECU has been developed for use on small engines operating in unmanned systems, hybrid and portable power applications. The ECU comes complete with fuelling system suitable for operation with either gasoline or heavy fuel.

The fuel system is based around a lightweight pump driven by a brushless motor with spill back pressure regulator allowing fuel to return to the tank. The standard fuel system is suitable for engines from 1 kW to 15 kW, a larger capacity pump can operate engines up to 40 kW. The pressure regulator can be set to give fuel pressures between 2 and 5 bar. Fuel pressure is directly monitored and compensated for by the ECU.

The ECU features:

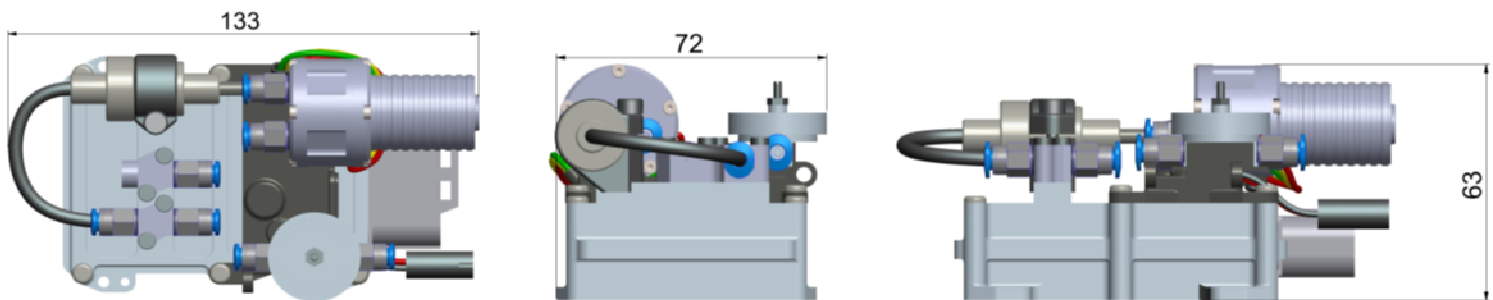
- Lightweight / compact / waterproof ECU casing
- Altitude compensation relative to pressure / temperature
- Integrated fuel system
- Twin injector drivers with up to three injectors/driver
- Twin ignition drivers permitting dual spark operation
- Servo drivers for cooling control (fan / cowl flap / coolant pump)
- Field proven control software and user interface
- RS232 and CAN bus communications
- Inbuilt data logger

Specification

	EFI Engine Control System
Weight	300 g (0.66 lb)
Supply Voltage	12 V DC (28 V DC available on request)
Typical Power Draw	20 W including ignition
Engine Power Range	1 to 15 kW (up to 40 kW with uprated fuel pump)
Fuel Injector Drivers	2 drivers (up to 3 injectors/ driver)
Ignition Drivers	2
Ignition Type	High energy inductive
Servo Drivers	2
Communications	Serial RS232 and CAN bus
Engine Temperature Inputs	2
Load Mapping	Manifold pressure or throttle potentiometer
Environmental/ Altitude	Atmospheric pressure and temperature monitoring

For further details see www.rcvengines.com/unmanned-vehicle-engines

Typical Dimensions (mm)



Applications

- Unmanned Systems
- Hybrid
- Portable power



Enquiries

RCV Engines has complete design control and as such can either supply an existing unit or configure an engine for a specific platform or application. Subject to establishing confidentiality arrangements 3D CAD data can be made available for installation studies. RCV can also evaluate which engine is the most suitable for a specific application.

Production engines are available from RCV Engines. Arrangement for licensed manufacture and/or production supply from an RCV Engines partner company.

For all enquiries contact: info@rcvengines.com